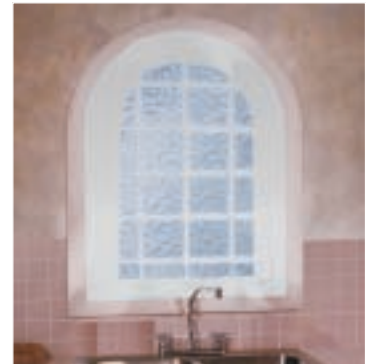


CUSTOM-SIZED ACRYLIC BLOCK WINDOWS

by  **Hy-Lite**
BRILLIANT IDEAS FOR HOME

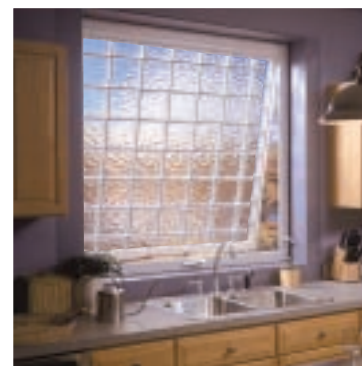
Both *The Max-Lite Fixed Window* and *The Prestige II Operable Window* fit nominal or custom size rough openings within 1/4 inch increments and are available in all Block Patterns, Solar Block, 8 or 6 inch acrylic block and in Clear or Green.



The Custom-Sized Fixed Vinyl Window

Available in Rectangular, Square, Round Top or Arch Top styles.

Not all openings are the same, sometimes you need customer fit. The New Max-Lite Custom-sized windows add privacy, light and beauty to any room with a slim line one inch frame



The Exact Fit Window

Available in a variety of styles: casement, hopper or awning and a choice of white or tan frame colors. *Now the rough opening size is not a decision factor between the beauty of acrylic block windows and the desire for fresh-air.*

Hy-Lite® wants you to have both.

CUSTOM-SIZED ACRYLIC BLOCK WINDOWS

Hy-Lite® makes it easy to satisfy any need with custom-sized window. Your choices are limitless for replacement or new constructions windows. Just contact customer service for assistance in designing the perfect window for you.



Features

- Both are of these window are manufactured to optimize the block configuration of the window for maximum transmitted light and beauty.
- Fits nominal or custom size rough openings in 1/4 inch increments.
 - All vinyl frame construction
- Specially developed caulk provides a beautiful finish that is resistant to mold and mildew
 - Comprehensive ten year Warranty
- Available in all Block Patterns, Solar Block, 8 or 6 inch block and in Clear or Green..

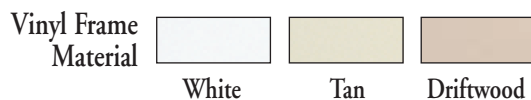
Safety Glazing Approved

Hy-Lite acrylic block is safety glazing approved which not only makes it safe but is also accepted by most building codes. These windows are mold resistance and easy to maintain. The light weight of these pre-assembled windows allows Hy-Lite block windows to be placed in entryways, around bathtubs and anywhere where privacy, light and beauty are desired.

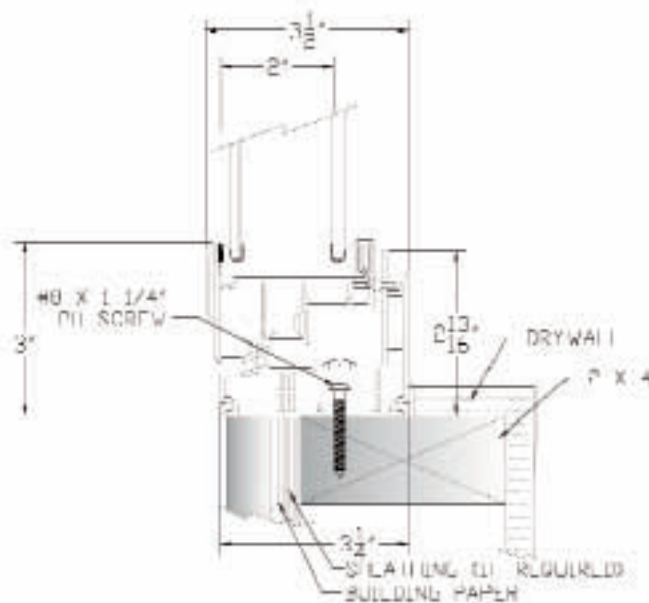
Multiple patterns allow you to choose a block style that compliments your special interior design concept.



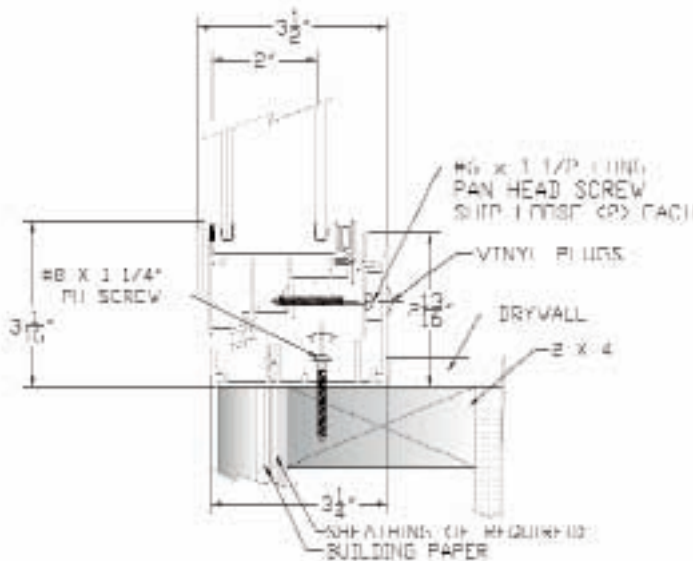
Clear Wave 2" or 3" depth
 Frosted Wave 2" or 3" depth
 Cross Rib 2" or 3" depth
 Clear Green 2" or 3" depth



Ask about the Storm Blocker windows designed to withstand storm force wind and rain.



The Max-Lite Fixed Window



The Prestige Pro Operable Window



BRILLIANT IDEAS FOR HOME

Hy-Lite Products, Inc.

1011 Park Lane, Greensboro, Georgia 30642

Hy-Lite Customer Service

117 Sara Lee Drive, Eatonton Georgia 31025

800.423.3032

